



Making innovation a habit

Comprehensive Quality-Assured
For Manufacturing & Supporting Industries



OUR MISSION: Providing optimal solutions for FDI customers, bringing satisfaction to partners and employees

CORE VALUE: - Professional - Effective coordination - Self-Motivation & Development and Creative innovation

OUR VISION: The leading organization in the market of supporting industry



2007

2011

2014

2015

2016

2018

2021



6 Bil

Established Systech Trading., Ltd



53 Bil

Establish Ho Chi Minh Branch



173 Bil

Co-operated with Innovative Shield Malaysia to establish Innovative Shielding Vietnam Factory



192 Bil

Equitization of enterprises - Systech Technology & Trading JSC
Become an ESDA Association member
Established Hai phong Branch



211 Bil

Officially becoming one of 5 main vendor of Samsung specializing in providing cleanroom produce



197 Bil

- Develop Cosei brand for all cleanroom products
- Completed construction of Cleanroom LAB class 100
Got ISO certificate



401 Bil

- Become a leader in the supply of Nitrile gloves and cleanroom wipes in the market
- Merger of Innovative Shield Vietnam factory into Systech technology and trading joint stock company

OUT PRODUCT



CLEANROOM

Full-suite of cleanroom consumables and equipment (Class 100 - 10,000) with stock-keeping making your demands for production lines always secured.



ELECTRO STATIC DISCHARGE

Conducting factory ESD audits to define the level of control needed in your environment and offer suitable ESD product for your ESD Protected Area



AUTOMATION

Consult, design and supply at all production phases from planning and set up to operations; maintenance and improvement, including : Electric Automation system, information collecting analysis display system to support production management and quality management.



SHELVES, ACCESSORIES FOR THE WORKSHOP

Designing and building mechanical racking system for production lines using pipes and joints, steel, stainless steel, aluminium profile and conveyer.



SPARE PARTS

Spare parts for manufacturing process, production support and warehouse management



PACKING

Provide supporting materials for production: Labels, barcode, ribbon, Shielding bags, Tape...

CLIENT NETWORK

We have been delivered our solutions to: **Electronics Manufacturing, Automotive Manufacturing, Pharmaceutical, Medical Equipment and Food Manufacturing industries.**



STRATEGIC ALLIANCE NETWORK



ISO 9001:2015 Certificate



ESD Program Manager



INARE Certificate

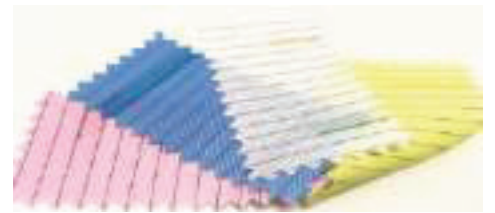
PERSONAL PROTECTION SERIES

We are supply cleanroom clothes according to class 10-10000, controlled electrostatic according to ANSI / ESD STM2.1-2018



Material	99% polyester +1% conductive fiber
Width	58-56"
Features	Anti - static 10e6-10e9Ω
Color	White, Pink, Yellow, Green, Blue
Type	5mm Stripe, 5mm Grid, 0.25cm Grid
Shrinkage	≤±3%
Class	10, 100, 1000, 10000
Features	Good ESD control properties Using ESD thread Ensure against electrostatic after 30 times laundering

Antistatic Fabric



PU Antistatic Boots

Size	220mm ~ 290mm
Class	1000
Surface Resistance	10e4 - 10e9Ω
Upper Material	PVC
Boot Material	ESD Fabric with good sewing lines
Sole Material	White PVC or gray PU platform
Features	Biotechnology, Chip Manufacturing, Cleanroom, Laboratory, Medical and Pharmaceutical Industries

PERSONAL PROTECTION SERIES

- ✓ Featuring soft and stretchy technology designed for excellent dexterity, tactility and durability for best performance
- ✓ Provides extra comfort fit to the users when carrying out tasks over long hours and reducing hand fatigue
- ✓ Exceptionally low levels of particles, ionic extractable and non-volatile residue (NVR), suitable for cleanroom compatible processes.
- ✓ Offers superior electrostatic dissipative (ESD) properties (antistatic) enabling vital protection to sensitive applications
- ✓ Packed in a cleanroom environment using double bagged packaging, increasing control over potential contamination

Nitrile Gloves



Material	Nitrile
Usage	Single use
Finishing	Tacky, Non-Tacky
Glove Type	Ambidextrous (Finger Textured, Full textured) Hand Specific (Micro textured)
Length	9", 12"
Color	Opaque White, Translucent, Blue
Applications	Semiconductor, Healthcare, Optics and Biotechnology, Hard Disk Drive, Aerospace, Pharmaceutical, Microelectronic, Laboratory Manufacturing industries that require a clean and controlled environment

PVC/ Vinyl Gloves

- ✓ Free from latex proteins, good alternative for those suffering from Type I allergies
- ✓ Suitable for food handling, except for fatty food
- ✓ Practical barrier for wide range of applications
- ✓ Very soft, pliable, smooth and comfortable
- ✓ Good fit, feel and performance

Quality Standard

- ➔ Complies with EN 455 and EN 374
- ➔ Complies with ASTM D5250 (USA Related Product)
- ➔ Complies with FDA510 (K) Available



Product type:	powder-free, unsterile
Main material:	Vinyl
Exterior Features:	Ambidextrous, with rolled rim
Size and full-length:	S, M, L - 12"

PERSONAL PROTECTION SERIES

Material	100% natural rubber latex
Size	S / M / L
Characteristic	These finger cots are dissipative powder free content for clean environment purpose Prevention of damages caused by the accumulation of static electricity with surface resistivity 10 ⁶ -10 ⁸ ohm/sq.
Application	Electronic, mechatronic, optronic, pharmaceutical industries
Type	R-Cut (rough-cut) / R-Roll (rough-roll) / S-Roll (smooth-roll) / R-Unroll (rough-unroll) / S-Unroll (oth-unroll)
Packing	1,440 pcs./bag, 20bags/carton

Conduct Black Finger Cots



NBR White Ex-cots



Material	NBR/ Nitrile
Size	S/M/L
Characteristic	Sulphur Free Non Silicone oil, Non Chlorinated Smooth surface
Application	For Sulphur and chlorine Sensitive, Component handling For ESD controlled Industries For Oily Component handling
Packing	1,440 pcs./bag, 20bags/carton

PU Gloves

PU Gloves are knitted with coated on the palm or finger, non- ESD and ESD are the popular ones.



Features	PU coating is acid-resistant, alkali resistant, anti – slip, abrasion resistance Heat insulating and durable, to avoid fingerprint residue To avoid hand sweat and particle pollution Ideal for high- tech assemble work on electronics
Models	Regular Models: PU Polyester / Nylon Top / Palm fit gloves ESD Models: ESD Carbon PU Polyester/Nylon Top/ Palm fit gloves (ESD Resistance: 10 ^{e6} -10 ^{e9} Ω)
Size	S: White/pink M: Green L: Gray
Packing	10 pairs/bag, 300 pairs/ctn

WIPER

Polyester Wiper



- 100% continuous polyester filament in a double-knit construction
- Weight: 110; 120; 130; 140 Gr/m2
- 4 edges are cut and sealed by Laser or Ultrasonic to prevent the release of particles and lints
- Excellent water and oil absorption, extremely low ion contaminants and particles
- Laundered and packed in Class 10(SO4) cleanroom
- Size: 4"x4" ; 6" x6" ; 9"x9"

Microfiber Wiper



- Polyester and nylon blended micro-denier filament double-knitted construction
- Weight: 165; 180; 200; 210 Gr/m2
- 4 edges are cut and sealed by Laser or Ultrasonic to prevent the release of particles and lints
- Laundered and packed in Class 10(ISO4) cleanroom
- Excellent water and oil absorption, extremely low ion contaminants and particle
- Softness and abrasion resistance are more superior to normal wiper
- Idea for Class 10-100 environments and where abrasion resistance is critically needed
- Size: 4"x4" ; 6" x6" ; 9"x9"

Roll Wiper



- Polyester and nylon blended micro-denier filament woven construction
- Weight: 85; 100; 110 Gr/m2
- 4 edges are cutted and sealed by Laser or Ultrasonic to prevent the release of particles and lints
- Laundered and packed in Class 10(ISO 4) cleanroom
- Excellent water and oil absorption, extremely low ion contaminants and particle
- Width/Length: 1m-250m(Adjusted according to customer requirements)
- Application: cleaning LCD and Glass

Non-Woven Wiper

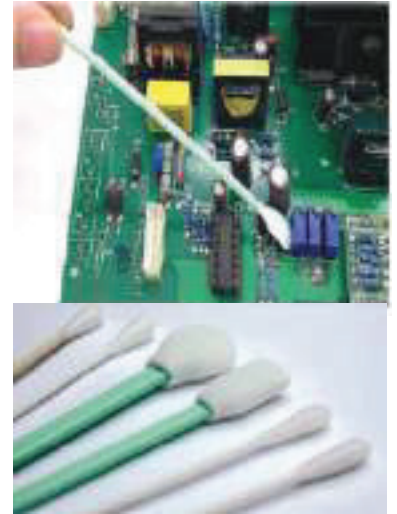


- Fabricated from a hydroentangled, non-woven blend of 55% cellulose and 45% polyester
- Weight: 40; 45; 50; 55 Gr/m2
- High absorbent property of natural fiber with the cleanliness, strength and durability of synthetic fiber
- Packaged in the Class 100 cleanroom(ISO 5)
- Very clean, soft, low extractable levels and solvent resistance
- Economical, ideal for general purpose wiping and spill control
- Size: 6" x6" , 9"x9" , 300 sheets/ bag

CLEANROOM TOOL

- High level of cleanliness with very low particle counts, ultra- low non-volatile Residue (NVR) and ion content. Free from silicone, amide and DOP
- With good absorbency, enabling fast absorption of contaminants onto the swab head
- Good solvent resistance enables the swabs t resist corrosion during the cleaning
- Material: Polyester / Foam/ Cotton
- Handle: Wooden/ Plastic
- Size: Adjusted according to customer requirements

Cleanroom Swab



- Sticky mat to use as Dust absorbing pad, is suitable to use in the clean room's entrance and buffer. It can effectively remove the dust from the sole and wheel, maximum reduce the dust affect the cleanly environment, it can remove the dust easily.
- Widely used in electronics, computer, food, refrigeration industry; Clean rooms, labs, semi-conductor industries, instrumentation, aerospace and nuclear industries; Surgical rooms, medical device, pharmaceutical and any other dust-free environment.
- Color: white, blue.
- Material: PE Film + water-based acrylic
- Size: 600mmx900mm, Adjusted according to customer requirements
- Thickness: 30um/32um/35um/40um/45um
- Tackiness: 300/ 350/ 400/ 450 Gf/inch

Sticky mat



- Sticky Rollers provide the most efficient means of removing small particles from flat surfaces such as walls, tabletops, floors, ceilings, etc. The adhesive on the sticky film not only removes contaminations but also provides an inhibitor to prevent growth, which makes it suitable even for general and cleanroom use. The specially designed rollers capture and transfer particles and contaminations from surfaces to adhesive rollers.
- Basic Material: PE film .
- Color: Blue/ White
- Width: 4",6",8",10",12",or customized / Length:16m,18m,20m
- Package: 50/100/200 rollers/carton

Sticky roller



Electro-Static Discharge Solutions



Conducting factory ESD audits to define the level of control needed in your environment and offer suitable ESD products for your ESD Protected Area.

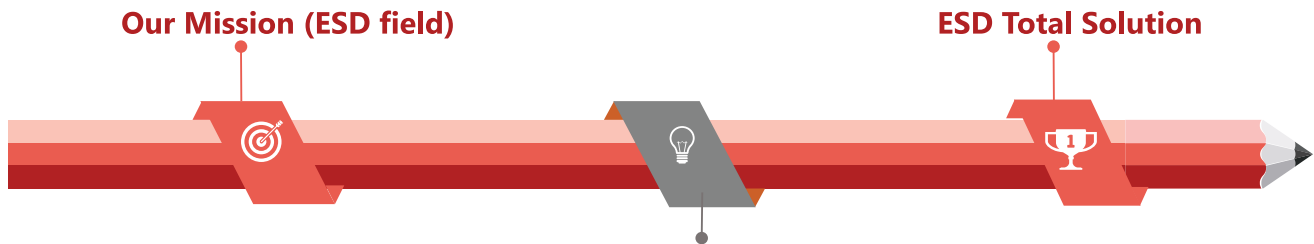


STATICO



- Become ESD/EOS expert
- Promote establishment of the ESD community in Vietnam and contribute positively to that.
- Become #1 ESD Total Solution provider in Vietnam

Not like the other traders who only sell ESD material and device, Systech providing "ESD Total Solution": Training, Auditing, Testing & Certification (for ESD engineer), Consultation, Problem solving, and Establishing ESD Control Program.



Manpower & Ability of ESD Team

- Member of EOS/ESD Association (ESDA)
- 01 ESD Certified Professional Program Manager (ESDCPM-108)
- 02 iNARTE Certified Associate ESD Engineers / 04 ESD Engineers
- Connection with ESD professor and partner worldwide
- Partner of Shishido Electrostatic, Trek, Techspray, Plato in Vietnam
- Trained by Shishido and Trek

Onsite ESD audit service



- Audit at process level or factory level
- By specific topics (grounding, ionizer, etc)

ESD control program setting (\$20.20) service



- Set up effective program
- Include ESD basic training
- Follow in 1 year after set up

Electrostatic consultation service



Through mail & telephone
Example: What material, device is suitable? How to do? How it happen?

Material & Device for Electrostatic Control



Right application, Cost effective, Good quality, Fast delivery Technical service after sale

Free 12 hours training for every 50,000\$ purchase amount !!

Examination and Certification service



Writing examination to verify qualification
Basic and Advance level
Certification (by Systech)

Electrostatic trouble shooting service



Having electrostatic trouble in factory?
Need to solve to increase productivity, insure quality, reduce cost?

ESD Certificate



STRATEGIC ALLIANCE NETWORK



Our ESD Device

TEST EQUIPMENT- DETECTOR



TREK 520 523



TREK 152



TREK 901H



ESEI- C518 Wrist Strap Monitor



SHOE TEASER



STATIRON DP



STATIRON DZ4



DSF601

IONIZER



WINSTAT: BF-X4MB



WINSTAT: BF-X2MB



WINSTAT: BF-X2MC



WINSTAT: BF-XMB



Bar CABX



ZAPPIII



BJS



AGZ II

ESD Chemicals



TECHSPRAY 1756



TECHSPRAY 1726



TECHSPRAY 1733



TECHSPRAY 1720

OTHERS



ESD MAT



FOOTWEAR



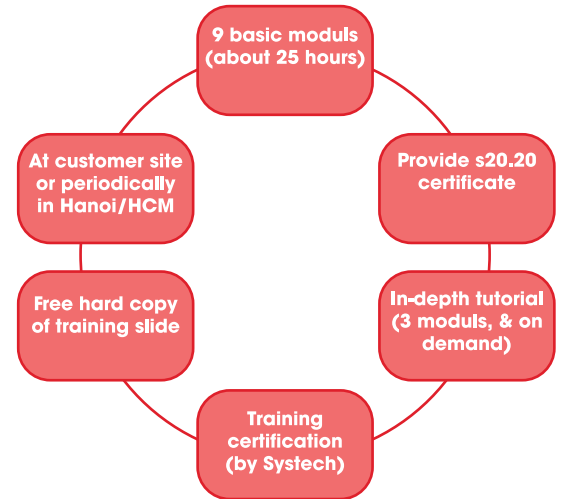
WRISTRAP



SEATING

ESD Training & Certification

- 9 basic modules (about 25 hours)
- In-depth tutorial (3 modules, & on demand)
- Training certification (by Systech)
- Free hard copy of training slide
- At customer site or periodically in Hanoi/HCM



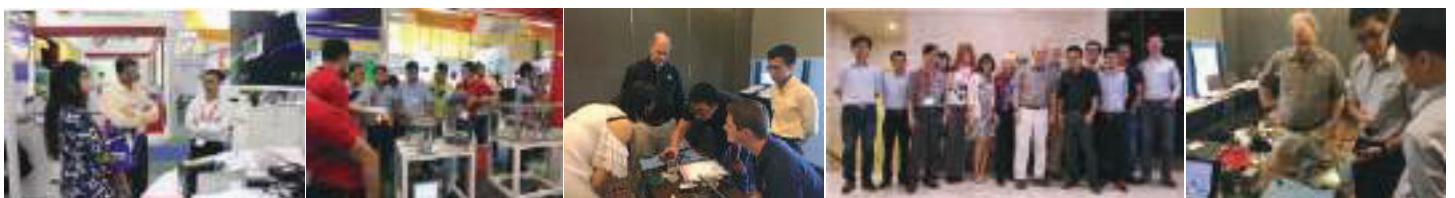
ESD SEMINAR



ESD TRAINING



ESDA Training in HCM City/ NEPCON



PARTS FEEDER

Technical Solutions



Technical automation solution for manufacturing process, production control, quality control and warehouse management



Introduction: Parts feeder- Systech

Systech-Part Feeder has established since 2017 and co-operate with Sinfonia Japan. Sinfonia Technology is one of the leading worldwide manufacturer of Parts Feeder with more than 100 years business.



Linear Feeder

Systech has co-operated with Sinfonia and been transferred in technology:

- Technology transferred training: From design, process and finish the Part Feeder.
- Systech is distributor of Part Feeder under brand name of Sinfonia in Viet Nam market.
- Training duration for the technical workforce is 2 years from 2018 to 2019 at Sinfonia Factory in Thailand.

Nowadays, Part-Feeder Team in Systech has approached and being trained with latest and standard qualification from Sinfonia to apply the technology in Viet Nam market.

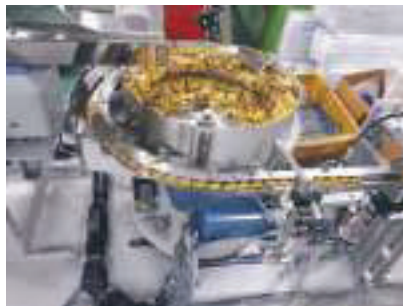


EA series is ranged as one of the most commonly used product in Vietnam with many outstanding advantages:

- This series is ideal for very small (10mm or less), high precision or ultra thin pieces.
- With high vibration frequencies of 100 to 180 Hz and small amplitude of 0.6mm.
- Can accommodate bowls ranging from 150 to 700 mm in diameter
- For highly reliable conveyance

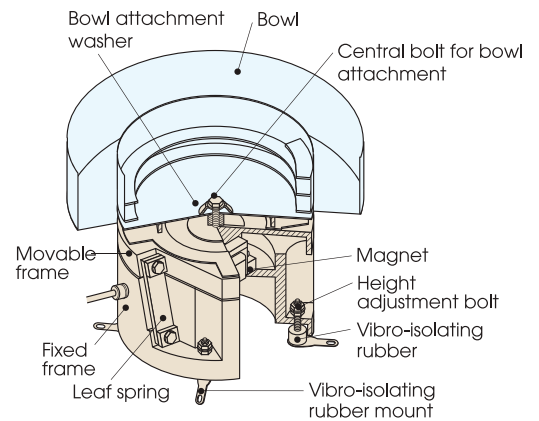


Small, Thin & Light pieces



Big & Light workpiece

EA Series Structural Diagram



Applying EA series : Ideal for Small - Ultra thin workpieces

Specifications

Model		EA -15B	EA -20B	EA -25	EA -30	EA -38	EA -45
Drive unit outer diameter	mm	φ 165	φ210	φ260	φ310	φ390	φ 460
Drive unit height	mm	133	155	190	220	260	280
Drive unit weight	kg	8	16	30	48	81	115
Leaf-spring attachment angle	degree	15					
Rated voltage	V	200 (*1)					
Rated current	A	0,35	0,8	1,5	2,0	2,5	3,0
Vibration frequency	Hz	100 ~180					
Unprocessed bowl diameter(cylindrical)	mm	150	200	250	300	375	450
Max. bowl diameter(cylindrical)	mm	250	330	420	500	600	700
Max. amplitude (periphery of standard cylindrical bowl)	mm	0,6				0,8	
Max. loaded weight (workpieces + bowl weight)	kg	2,3	4	8	12,5	17	26
Cross section area of power cable	mm ²	0,75 x 3 cores				1,25 x 3 cores	
Compatible controllers	AC200V	C10-1VF/1VFEF			C10-3VF/3VFEF		
	AC100V	C10-1VF/1VFEF +C10-TR			C10-3VF/3VFEF +C10-TR		

Note *1 With an AC100V power source, use optional C10-TR transformer.

Manual Models

- Steady delivery of workpieces of all sizes, mostly for big and heavy pieces
- With low vibration frequencies of 50 to 90Hz and a large amplitude of 1.2 mm, this series is suited to workpieces from 10 mm up in size.
- Bowl diameters from 250 to 1100 mm can be accommodated, to give powerful feeder performance.

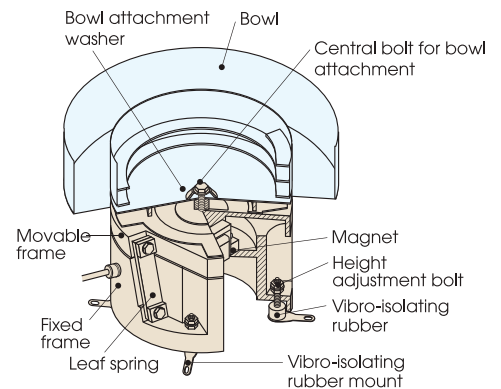


Rubber components

Big workpieces

Applying ER series for pieces running smoothly (not to be sticky) (rubber pieces) or to move big pieces.

EA Series Structural Diagram



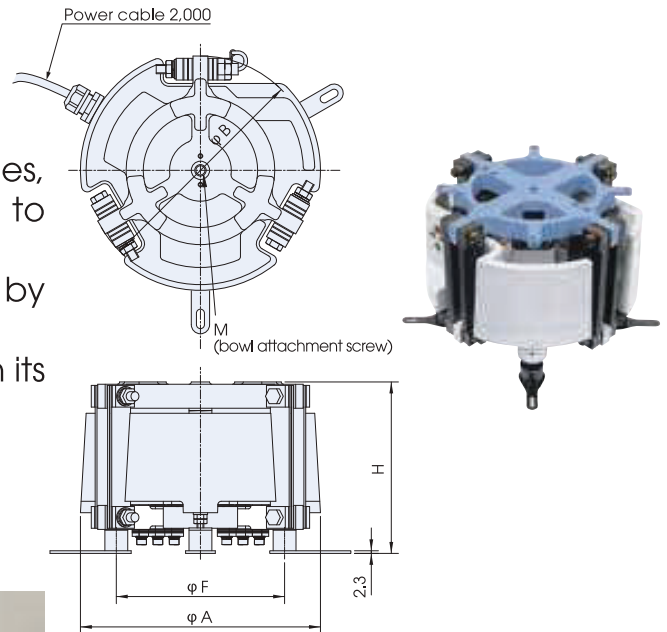
Specifications

Model		ER-25B	ER-30B	ER-38B	ER-45B	ER-55B	ER-65B	ER-75B
Drive unit outer diameter	mm	φ 260	φ 310	φ 390	φ 460	φ 560	φ 660	φ 760
Drive unit height	mm	198	225	264	286	321	321	321
Drive unit weight	kg	30	48	81	115	160	200	260
Leaf-spring attachment angle	degree	20						
Rated voltage	V	200 (*1)						
Rated current	A	1.0	1.5	2.0	2.5	5.0	5.0	5.0
Vibration frequency	Hz	50 ~90						
Unprocessed bowl diameter (cylindrical)	mm	250	300	375	450	550	650	750
Max. bowl diameter (cylindrical)	mm	420	500	600	700	830	980	1130
Max. amplitude (periphery of standard cylindrical bowl)	mm	1.2				1.4		
Max. loaded weight (workpieces + bowl weight)	kg	8	12.5	17	26	70	85	125
Cross section area of power cable	mm ²	0.75 x 3cores		1.25 x 3cores		2.0 x 3cores		
Compatible controllers	AC200V	C10-1VF/1VFEF		C10-3VF/3VFEF		C10-5VF/5VFEF		
	AC100V	*2	C10-3VF/3VFEF +C10-TR				—	

Notes *1 With an AC100V power source, use optional C10-TR transformer.
*2 C10-1VF/1VFEF+C10-TR

DMS Series

- DMS series is designed for high-speed workpieces, multiplying from 1.5 up to 2 times as compared to normal EA/ER series
- Almost no damage to handling work pieces by smooth handling. .
- It's able to handle works smoothly and maintain its ability even sorting complex material.



Rubber sticky workpieces

Big workpieces

Advantages: Able to handle works smoothly and maintain its ability even sorting complex material



Drive Unit Specifications

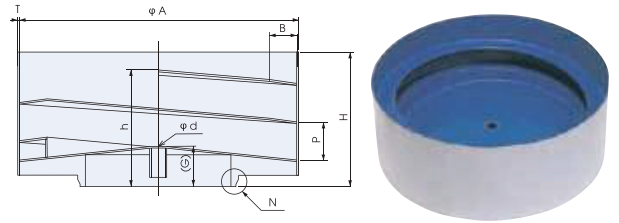
Model		DMS-15C	DMS-20C	DMS-25C	DMS-30C	DMS-38C	DMS-45C
Drive unit outer diameter	mm	φ 160	φ 210	φ 260	φ 310	φ 390	φ 460
Drive unit height	mm	130	150	185	220	250	265
Drive unit weight	kg	7	14	25	40	70	110
Rated voltage	V	200					
Rated current	A	Horizontal		Vertical			
		0.18	0.3	0.6	2.0	2.0	2.0
		0.18	0.3	0.3	0.8	0.8	2.0
Vibration frequency	Hz	100 ~ 180			70 ~ 110		
Unprocessed bowl diameter (cylindrical)	mm	φ 150	φ 200	φ 250	φ 300	φ 375	φ 450
Max. bowl diameter (cylindrical)	mm	φ 250	φ 320	φ 400	φ 500	φ 600	φ 700
Max. amplitude (Unprocessed cylindrical bowl periphery)	mm	Horizontal		Vertical			
		0.6		1.0			
		0.13		0.3			
Max. loaded weight (workpieces + bowl weight)	kg	2.3	4	8	12.5	17	26
Cross section area of power cable	mm ²	0.75 x 5 cores					
Applicable controller		C10-4DM					

Bowl Manufacturing

Bowl is divided into 2 different main kinds :

- Straight Wall Bowl
- Cascade Bowl

All bowls are manufactured in Vietnam under the Standard technique & training from Sinfonia

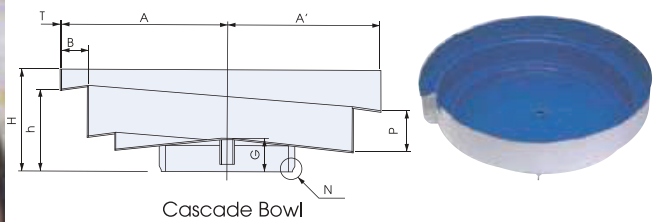


Straight Wall Bowl



Straight Wall Bowl

Cascade Bowl

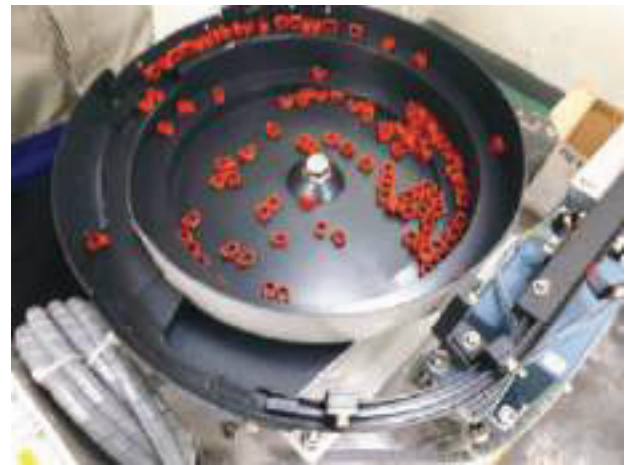


Cascade Bowl

After manufacturing and welding Bowl will be turned in to next step of coating as per requirement.

Coating includes:

- PU Coating : Noise reduction and scratch resistance
- Teflon Coating: Anti-stick for oily components



Dimensions Chart

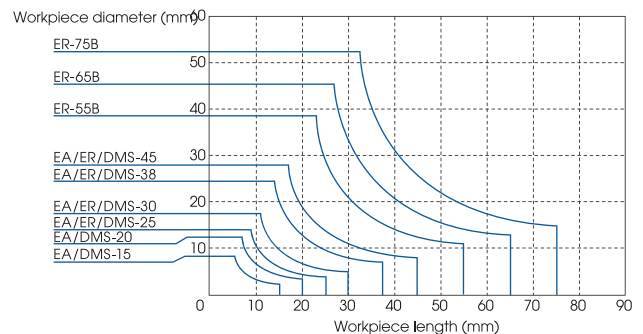
Unit: mm

Model	ϕA	B	ϕD	ϕE	G	H	P	h	ϕd	T	Approx. Weight (kg)	Capacity (l)
EA/DMS-15	150	12	73.1	89.1	22	70	18	56	8.2	1.5	1.1	0.1
EA/DMS-20	200	18	104	120	25	85	24	69	10.2	1.5	1.8	0.2
EA/ER/DMS-25	250	20	143	159	27	100	30	83	12.2	2	3.2	0.5
EA/ER/DMS-30	300	25	174.7	190.7	35	125	36	101	12.2	2	5.0	0.8
EA/ER/DMS-38	375	35	216	232	43	155	46	129	16.2	2	8.0	1.7
EA/ER/DMS-45	450	40	282.5	298.5	52	190	56	156	16.2	3	15.0	3.0

Model	ϕA	B	ϕD	ϕE	ϕF	G	H	P	h	ϕd	T	Approx. Weight (kg)	Capacity (l)
ER-55B	550	55	288.5	318.5	309.2	78	266	76	221	25	3	28	5
ER-65B	650	65	373	406.4	397.2	88	311	90	258	25	3	39	10
ER-75B	750	75	477.8	508	498.7	99	366	108	303	25	3	54	15

Notes: 1) Bowls are made of stainless steel and standard color is differ from color of pictures above. 2) Bowls available with clockwise or counter-clockwise orientation. 3) Capacity varies according to the type of workpiece. *When supplied unprocessed, neither inside nor outside has been surface-treated.

Straight wall Bowl Selection Guide



LINEAR FEEDER

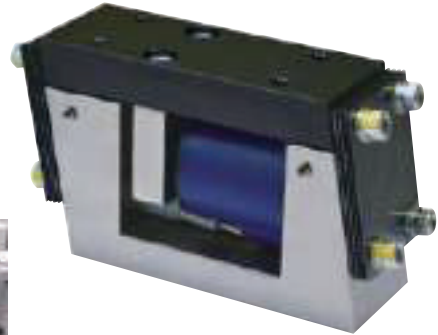
Linear vibration leads the components go through into another different machine

3 commonly-used types:

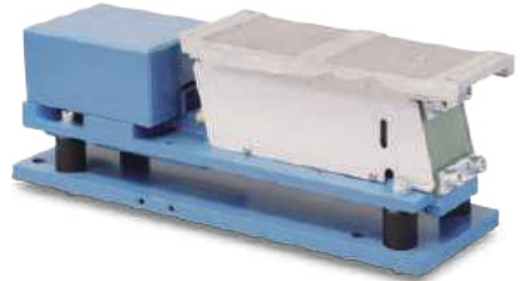
- LF: Ultra- thin, 180-240mm
- LFB: Normal, 300-550mm
- LFG: Long, 600- 900mm



Application for components transport by using LFG



LF-04B



LFB-400



Application for tiny linear feeder LF-04B and EA-15B



LFG-750

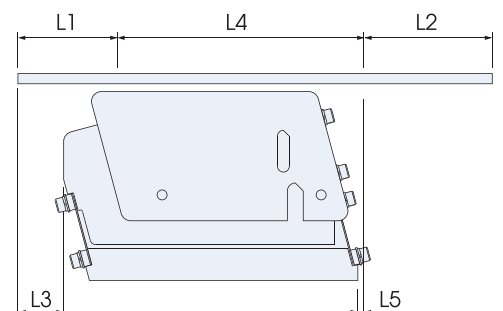
Unit: mm

Chute Specifications, Including Basic Position

Model	Max. length	Max. width	Min. thickness	Weight range (kg)
LFB-300	300	50	6	0.4~1.0
LFB-400	400	50	10	0.8~2.0
LFB-550	550	65	14	1.4~3.5

Model	Basic position (at max. chute length)				
	L1	L2	L3	L4	L5
LFB-300	66	110	40	124	3
LFB-400	105	150	70	145	5
LFB-550	140	210	85	200	5

LFB Series chute dimensions



Digital Controller

Newly-designed with high performance, variable digital controller provide you the most suitable driving frequency easily for everyone.

This controller makes you free from trouble leaf spring setting.

Moreover, the controller realized downsizing and trimming weight, and added highly advanced control functions and output frequency control function.

Controller is divided into 2 main types:

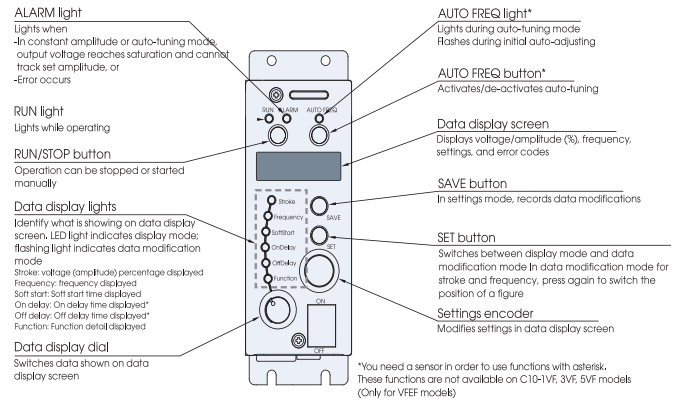
- VF : Applying for Straight Linear
- VFEF: mostly used for vibration set



Connecting between many controllers



Combination between DMS & VF

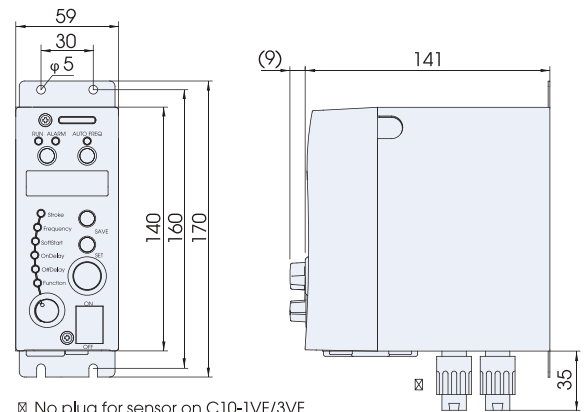


Model	C10-5VF	C10-3VF	C10-1VF	C10-5VFEF	C10-3VFEF	C10-1VFEF
Input power source	AC100-120V± 10%, AC200-230V± 10%, 50/60Hz					
Output	Control system PWM system					
	Voltage 0-190V (for AC 200V input) 0-95V (for AC 100V input) Optional unit C10-TR allows output voltage in 0-190V range (Except C10-5VF (EF)) even with AC100V input					
	Vibration frequency Half wave: 45-90Hz, Full wave: 90-180Hz Intermediate wave: 65-120Hz, High frequency: 180-360Hz					
	Max. current	5A	3A	1A	5A	3A
Operating modes	Constant voltage mode Frequency, output voltage set manually					
	Constant amplitude mode			Constant amplitude control at set frequency		
	Auto-tuning mode With frequency auto-tuning, constant amplitude control requires no amplitude setting					
Additional features	Speed selector Selection of up to 4 amplitude settings by means of external signal					
	Start/stop control Start/Stop control by external signal Changeable NPN and PNP by switching					
	Output signal Output signal synchronized to parts feeder operation					
	Soft start Start-up time 0.2-4.0 secs					
	On/Off delay			Delay 0.2-60secs		
Synchronized power output	Sensor power source			For DC 12V, max. 80mA 3P power plug		
	Function Power output synchronized to parts feeder operation (RUN)					
	Control system			On/Off control		
	Output voltage			As power source input to controller		
Others	Max. current 2A					
	Noise tolerant voltage Above 1000V					
	Ambient temperature 0-40°C					
	Ambient humidity 10-90% (no condensation)					
	Weight	1.5kg	0.9kg	0.8kg	1.6kg	1.0kg
Case color	U75-70D (Japan Paint Industry Association)					

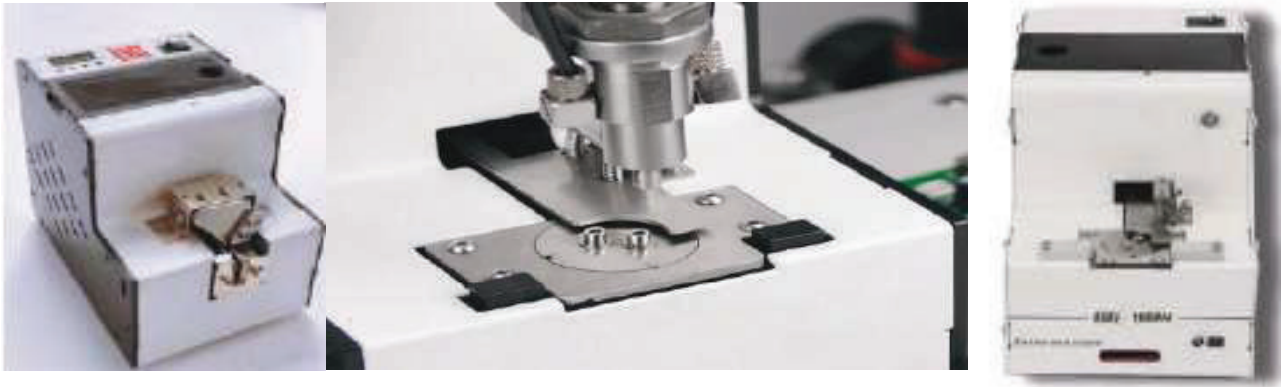
Dimensions

Unit: mm

C10-1VF/1VFEF /3VF/3VFEF



SCREW DRIVING



Screw feeder ESEI 1050H

Prompt delivery and steady screw feeding are the important factors of a screw feeder. These screw feeders were designed and developed based upon user feedback and opinions. We integrated our advantages with other brands and eliminated detriments that occurred on other brands. As the result, run more smooth feeding



Model: ESEI-1050H

- Usage: For automatic screw driving systems with vacuum or magnet pick up
- Feed rate: 0.5s/pcs
- Dimensions: L205*W128*H145mm
- Screw size: M1.0~5.0mm, Length ≤ 18mm

Features

- USB port connection: Input signal
- Turntable: 1/4
- PCB signal output allows full production line integration
- Integrated screw counting and screw shortage warning system.
- Horizontal linear feeding system increase access to screw head.



Scope of use: Electronic assembly

Screw feeder ESEI 1050

Equipment use to reduce manipulation during installation, design and the aim decrease labour times. The main purpose is pass screw into exact position, Then electric screwdriver performs taking screw, reduce work intensity, improve efficiency. They apply in the electronics industry

Features

- Incorporates an adjustable rail which accommodates screw thread diameters from 1.0-5.0mm
- A rail adjustment kit is included with the feeder to facilitate quick and easy setup.
- Single rail accommodates all screw sizes
- Multiple adjustments to optimize feed rate

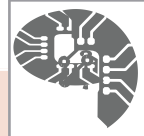


Model: ESEI-1050E

- Usage: Handwork
- Integrated screw counting
- Dimensions: L185*W127*H147mm
- Screw size: M1.0~5.0mm, Length ≤ 15mm



Spare parts



*Spare parts for manufacturing process, production support
and warehouse management*





Electric Actuator Product Overview

<p>Single Axis Robot</p>		<ul style="list-style-type: none"> Intelligent actuators with high-speed, high-torque capabilities Many variations are available to meet diverse applications The guide is integrated with the base for the linear actuators. 	<p>Slider Type</p>		<ul style="list-style-type: none"> Move an object in the horizontal direction Move over a long distance.
<p>Rod Type</p>		<ul style="list-style-type: none"> Move an object in the vertical direction Move an object with chucks, etc. Hold a work part while pressing it against something Press-fit a work part 	<p>Table Type/ Arm Type/ Flat Type</p>		<ul style="list-style-type: none"> Move an object in the vertical direction When a moment load is applied
<p>Gripper Type/ Rotary Type</p>		<ul style="list-style-type: none"> Grip and lift a work part. Centering Change the direction of a work part. Perform fine positioning for indexing 	<p>Servo Press</p>		<p>Loading Repeatability is ±0.04</p> <p>RCS3 Servo Press Compatible ROBO Cylinder® with Load Cell</p> <p>The high-precision position control enables easy adjustment of the push force and the position control, which is typically a benefit for all hydraulic equipment.</p>
<p>Wrist Unit</p>		<p>Rotating joint multi-axis unit</p> <ul style="list-style-type: none"> Battery-less absolute encoder Light weight & compact Low cost Orthogonal axes & interpolation commands are possible 	<p>Cartesian Robots</p>	 <p>High Speed Type</p>	<ul style="list-style-type: none"> Pre-configured cartesian robots that reduce installation and setup time Many variations are available to support 2 to 6 axis configurations The multi-alar types let you reduce space and cycle time Customize the option model that suits your specific needs
<p>SCARA Robots</p>		<ul style="list-style-type: none"> Achieves high speeds and repeatability even with low cost models Easy programming makes these actuators much more user-friendly Many variations are available to support arm lengths of 250 to 800mm 	<p>Table Top Robot</p>		<ul style="list-style-type: none"> These 4-in-one robots are ideal for cell production and R&D applications They are equipped with a rigid base, stepper control motor and an encoder Achieve high tracing precision and constant speed operation All models come with a built-in KSEL controller
<p>Splash-proof Dust-proof</p>		<ul style="list-style-type: none"> Protection conforming to IP54/IP67 These actuators handle environments with extreme dust or water splashes Many variations are available to meet diverse applications 	<p>Linear Servo Actuator</p>		<ul style="list-style-type: none"> Maximum load capabilities of up to 120kg and maximum strokes of up to 4m High-speed and high-precision is kept even at long strokes Supports high axial velocity of up to 95 and high speeds up to 2.5m/s Multi-slider types supporting synchronized operation are also available
<p>Cleanroom Type</p>		<ul style="list-style-type: none"> Dedicated cleanroom types The highly sealed structure achieves operation in conformance with cleanliness class 10 Wide variations are available, including ROBO Cylinders, single axis and SCARA robots 	<p>Dustproof/ Splash-Proof</p>		<ul style="list-style-type: none"> Used with an automobile or load manufacturing system or in other location subject to dust and water splashes
<p>Linear Servo Type</p>		<ul style="list-style-type: none"> Want to transfer a light object at high speed 	<p>Software</p>		<ul style="list-style-type: none"> ROBO Cylinder PC Software provides simple, easy to use, user-friendly, flexible controls Positioning, Point to Point & Incremental Motion, PUSH function, Programming & much more KSEL PC Software can store multiple programs, & provides point table for positional information Fully programmable and can perform many of the same functions as a small PLC.
<p>Controllers</p>		<ul style="list-style-type: none"> Wide-ranging models are available, from the ultra-simple type that can be operated under the same control used for solenoid valves, to the micro-processor high-functional type select one that best suits your specific application. 	<p>Others</p>		<ul style="list-style-type: none"> Low-cost 24VDC power supply Teaching Pendant with touch panel display Teaching Pendant with built-in power supply Software and much more.



► Sensors



► Switches



► Safety Components



► Relays



► Control Components



► Automation Systems



► Motion / Drivers



► Robotics



► Energy Conservation Support / Environment Measure Equipment



► Power Supplies / In Addition

Plasma Power Generators



DC Power Systems



Low & Mid-Frequency Power



Pulsed-DC Systems



RF Plasma Generators



RF Match Networks

High Voltage Power Supplies



Chassis-Mount Power Supplies



E-Beam Power Supplies



Mass Spectrometry Power Supplies



Micro-Size Power Supplies



Rack-Mount Power Supplies



Standard-Size Power Supplies



X-Ray Power Supplies

Remote Plasma Sources



Litmas RPS | PFC Abatement



Quanta RPS | Semiconductor Process

Gas Sensors



OEM Gas Analyzers



Gas Monitors

Low Voltage Power Supplies



CoolX1000 Series



CoolX1800 Series



CoolX600 Series



UltiMod Series



XF Series



Xgen Series



Xsolo Series

Temperature Measurement Products



Pyrometers



Thermal Imagers & Systems



Calibration Sources



Fiber Optic Temperature Sensors



Thyro-S Series 3



Thyro-A Series 3



Thyro-AX Series



Thyro-PX Series

SCR Power Controllers

PRECISION MOTION INDUSTRIES



Ballscrews



**Precision
Ball Screw Spline**



**Linear
Guideway**



Ball Spline



Actuator

PATLITE

PATLITE®



IDEC CORPORATION



Automation



Safety



MISUMI Corporation



Mitsubishi Electric Corporation



Solution From Pipe & Joints System



LOGIFORM Q-PIPE is steel pipe with a synthetic plastic resin coated outer surface.



PRODUCT CODE	THICKNESS (Steel)	WEIGHT
LP-1100	1t	676g/m
LP-1200	2t	1,265g/m

EX)LP-1100IV



PRODUCT CODE	THICKNESS (Steel)	WEIGHT
CP-1100BK	1t	676g/m
CP-1200BK	2t	1,265g/m

EX)CP-1100BK



PRODUCT CODE	THICKNESS (Stainless)	WEIGHT
ST-1070 (201/439)	0.7t	473g/m
ST-1110 (201/304/439)	1.1t	734g/m

Coated Pipe



PRODUCT CODE	THICKNESS (Steel)	WEIGHT
PE-1070	0.7t	460g/m
PE-1100	1.0t	655g/m

Solution From Pipe & Joints System



BLACK (BK) /



SILVER (SV) /



NICKEL-CONDUCTIVE (NI)

Metal Joints Sets



Solution From Pipe & Joints System

Placon Mounts / Accessories



Solution From Pipe & Joints System

Accessories



AM-3050SS



AS-5050MS



AD-3012SS



AC-3828RB



MT-5111



MT-5112



MT-5113



MT-5126



MT-5109W



MT 5139L



LH-3010CS



NP-0180



MT-5117



Solution From Aluminium Profiles

Profiles & Accessories

DF 2020



DF 3030



DF 3060



DF 4040



DTH 03

DTH 09



PACKING SOLUTION

We Specialist in ESD Packaging, Flexible Packaging, Protection Films & Security Tape & Label which widely using for Industrial, Commercial & Retails fields. Please select below products....



ESD PACKAGING

We produce various types of **ESD Shielding Bags** and Moisture Barrier Bags or Vacuum Bag with special size and specification..



FLEXIBLE PACKAGING

We able to produce **laminated flexible bag** eg. 3 Sides Seal bag, Standing Pouch Bag, Zipper Bag....



PROTECTION FILM

Protection film play a very important roles during surface process and goods finishing.....



SECURITY TAPE & LABEL

Security tape and label provide a best option to protect your valuable products or document from stolen, opened or read.....

Static Shielding Bag



Made with superior ESD Coat & Amide Amines free material with ASTM Standard, Customised for sizes, side seal width and other optional custom-made requirements

Thickness : 2mil(50 μ) / 3mil(76 μ) or optional

Film Layer : ESD/VMPET/LLDPE-AA/ESD

Surface Resistivity : 10⁶ ~ 10⁹ Ω

Bag Mode : 2 / 3 / 4 Sides Seal

Side Seal Width : 5mm ~ 10mm

Logo Printing : Optional

Application : PCB, Wafer box, Sensitive SMD Components, Sensitive Devices to ESD

Aluminium Bag



Customised with High Quality PET Film or Nylon Film, Aluminium Foil and PE Films layer to provide best durability protection for UV, Gas & Moisture Thickness: 33mil-7mil (80 μ -180 μ) or optional

Film Layer : PET/ALU Foil/LLDPE

Bag Mode: 3 Sides Seal Only

Side Seal Width: 10mm

Bag Surface: Matt / Glossy

Logo Printing: Optional

Optional : ESD Coat, U/V-cut

Application: PCB, Wafer box, Sensitive SMD Components, High Sensitive Devices to ESD

Barcode paper



Model	AW0339	AW0331	BW0153	MW0066
Surface	Glossy, White, one-side coated	Glossy, White, one-side coated	White, fade and smooth	White, opaque and smooth
Usage	lacerable	lacerable	Un-lacerable	Half-temperature
Weight	80g / m2 TAPPI T410	80g / m2 TAPPI T410	56g / m2 TAPPI T410	62g / m2 TAPPI T410
Adhesives	S1010 acrylic	S1010 acrylic	S4700N acrylic	S1010 acrylic
Typical performance	12.8N/25mm, FTM 9 glass	12.8N/25mm, FTM 9 glass	11.2 N/25mm FTM 9 glass	12.8N/25mm, FTM 9 glass
Standard binder	Compliance with the provisions of FDA (175.105) for indirect food contacting			
Ductility	BG40, 62 g/m2 TAPPI T410, Caliper 55 micromet TAPPI T411			
Preservation	1 year, 25 Celsius degrees and 50% R.H.			
Width	As required			
Length	50, 100, 150 meters, (or required)			
Application	In electronics, mechanical engineering and food industry			

Ricoh Ribbon

Model	Colors	Type of Material	Feature
B110A	Black	Wax-Resin	<ul style="list-style-type: none"> - Heating temperature 65 Celsius degrees - Thickness 4,5 µm +- 0,4 - Print on many surfaces: thermal transfer paper stamps, decal stickers, plastic ... - Size: 110mmx300m, or required
B210A	Blue	Wax-Resin	
B310A	Red	Wax-Resin	
B610A	Green	Wax-Resin	
B110TI	Black	Wax-Resin	<ul style="list-style-type: none"> - Heating temperature 75 Celsius degrees - Thickness 4,5 µm - Print on many surfaces: PET, PP, PE, PVC - Size: 110mmx300m, or required
B110Z	Black	Wax-Resin	<ul style="list-style-type: none"> - Heating temperature 65 Celsius degrees - Thickness 4,5 µm +- 0,4 - Print on many surfaces: thermal transfer paper stamps, decal plastic, silver plastic - Size: 110mmx300m, or required
B120HS	Black	Resin	<ul style="list-style-type: none"> - Rolled ribbon has carbon on the outside - Core size: 1 inch - Heating temperature 70-85 Celsius degrees - Perfect durability - Can be used for heat transfer printers - Resistant to all environmental conditions - Insoluble in water
B110CR	Black	Resin	<ul style="list-style-type: none"> - Print quality is good with PVC, PET, ... - Print in high resolution up to 600Dpi: when printing small barcodes very sharp - High abrasion resistance, resistant to chemicals: Ethanol, Methanol, IPA, Gasoline, Diesel Fuel, Gasohol - Compatible with a wide range of industrial printers: Zebra, Sato, Toshiba...
B120EC	Black	Resin	<ul style="list-style-type: none"> - Resistance to heat blur: 100 Celsius degrees - High scratch resistance - The ink for the product has perfect sharpness - Core size: 1 inch, inch - Size 110mm x 300m, or required - Melt at high temperatures



BUSINESS NETWORK IN VIETNAM

SYSTECH TECHNOLOGY & TRADING JSC

HA NOI Main Office (Headquarter)

12th Floor, Viwaseen Tower, No.48 To Huu Street,
Trung Van, Nam Tu Liem District, Hanoi.

Binh Duong Branch

Binh Duong Office, No.320 Le Hong Phong Street,
Tan Dong Hiep, Di An, Binh Duong

HAI PHONG Branch

Hai Phong Office, No.384 Lach Tray Street, Ngo
Quyen, Hai Phong City

HUNG YEN Branch

Ngoc Da Village, Tan Quang Commune, Van Lam
District, Hung Yen.

Innovative Shield Vietnam Co., Ltd (Affiliate Company).

Tra My Factory, Ngoc Da Village, Tan Quang
Commune, Van Lam District, Hung Yen.

CONTACT US

Email: info@systech.vn

Hotline: + 84 83 383 1313

Website: www.systech.vn | www.esdvietnam.com | www.esdvietnam.org